

PRO BALL TURF



Athletics

PROPERTY

- Primary Yarn Polymer
- Yarn Cross Section
- Standard Colors
- Additional Colors
- UV Stabilized
- Fabric Construction
- Primary Backing
- Coating Type(s)
- Perforations
- Recommended Infill
- Pile Height
- Total Weight
- ISO 9001 Quality Assured
- Roll Width
- Warranty

DESCRIPTION

- Polypropylene
- Texturized Polypropylene
- Pine; Veridian
- Red; Orange; Yellow; FLA Blue; White; Black; Terra Cotta
- Yes
- Tufted
- Dual Layered Woven Polypropylene
- 5mm Polyurethane Foam; SilverBack™ Polyurethane
- No
- N/A
- 9/16"
- 118 oz. (Foam); 63 oz. (PU)
- Yes
- 12 & 15 Ft.
- 5 Year

ADVANTAGES

- Increases available time of use
- Improves performance and safety
- Allows more time for practice
- High performance quality
- Helps create multipurpose facilities
- Perfect for training
- Always ready for use
- Consistent performance over time and use

Standard Line and Field Colors*

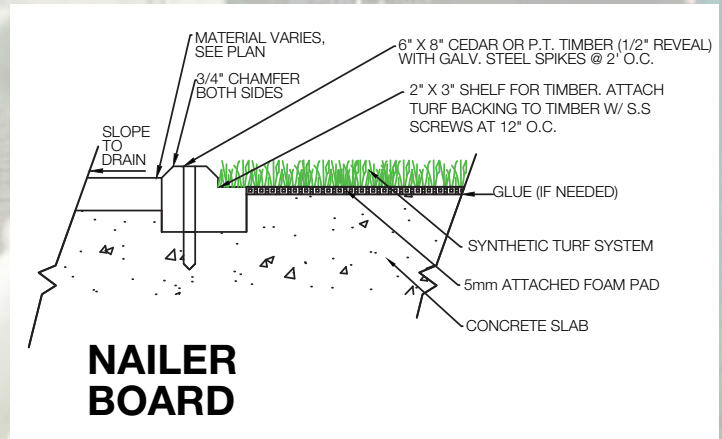
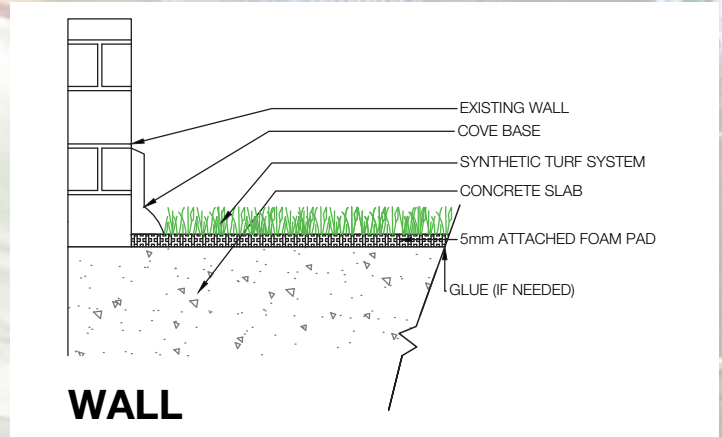


*Custom colors available upon request

PRO BALL TURF

BENEFITS

Typically used for baseball applications, Pro Ball turf is one of our most popular and versatile surfaces. Since there is no need for infill, it's a great choice for indoor and portable applications, and with seven standard color choices, and custom colors available upon request, this is a great choice for locker rooms and agility and training facilities as well.



It is the policy of Synthetic Turf International to continuously improve their line of products. Therefore, Synthetic Turf International reserves the right to change, modify or discontinue systems, specifications and accessories of all products at any time without notice or obligation to purchaser. These are standard specifications subject to manufacturing tolerances and consumer requests.