

## Tee Lines and Hitting Mats

### PROPERTY

Primary Yarn Polymer

Yarn Cross Section

Standard Colors

UV Stabilized

Fabric Construction

Primary Backing

Coating Type(s)

Perforations

Recommended Infill

Pile Height

Total Weight

ISO 9001 Quality Assured

Roll Width

### DESCRIPTION

Nylon; Polypropylene

Texturized Nylon; Texturized Polypropylene

Garden Pine

Yes

Cross-Stitched

ArmorLoc™ 3L dual layer polypropylene

SilverBack™ Polyurethane

No

N/A

1 1/4"

142 oz.

Yes

12 ft.

## ADVANTAGES

- Holds a real tee
- Allows for a true natural swing
- Provides a divot feel with no club bounce
- Used by PGA professionals, teachers, tour players and numerous top rated facilities
- Drastically improves your golf game
- Allows for practice and play year round
- Saves your grass and your money
- Available in mats and full tee lines

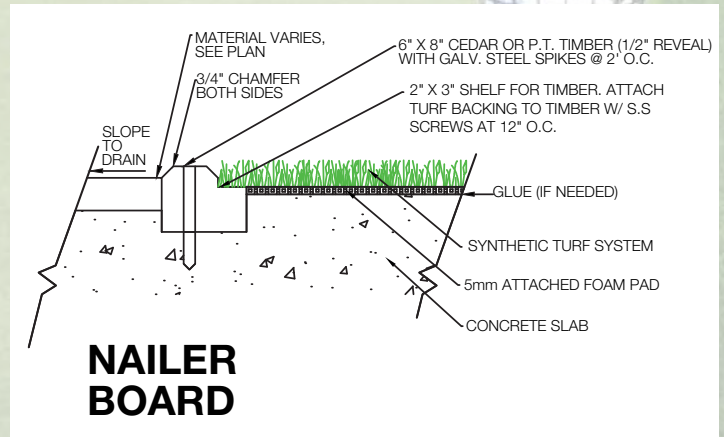
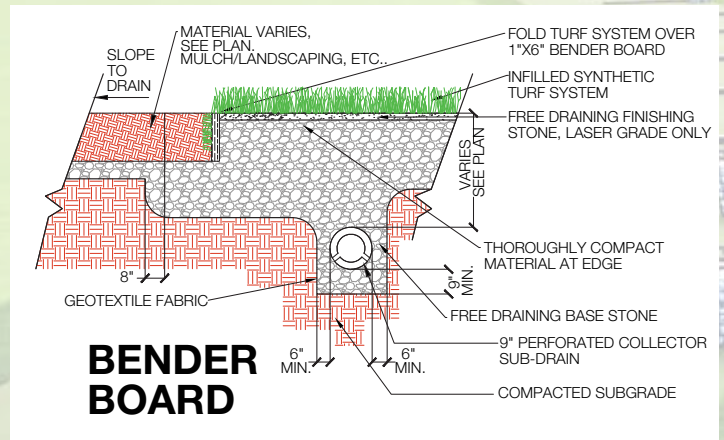
 ArmorLoc™ 3L

  
SILVERBACK™  
Quiet Strength.



## BENEFITS

The EZTee® Hybrid Plus+ features a non-infilled high grade polypropylene/nylon blended yarn system designed for heavy traffic tee lines, hitting mats, and extended use golf ranges. This product holds a real tee and allows players to hit all clubs, from a wedge to a driver and is used by many of the top golf courses around the world. EZTee® Hybrid Plus+ does not replace your natural grass, but instead gives the grass time to heal properly. When will you Experience A Greener World and a better golf facility?



It is the policy of Synthetic Turf International to continuously improve their line of products. Therefore, Synthetic Turf International reserves the right to change, modify or discontinue systems, specifications and accessories of all products at any time without notice or obligation to purchaser. These are standard specifications subject to manufacturing tolerances and consumer requests.

