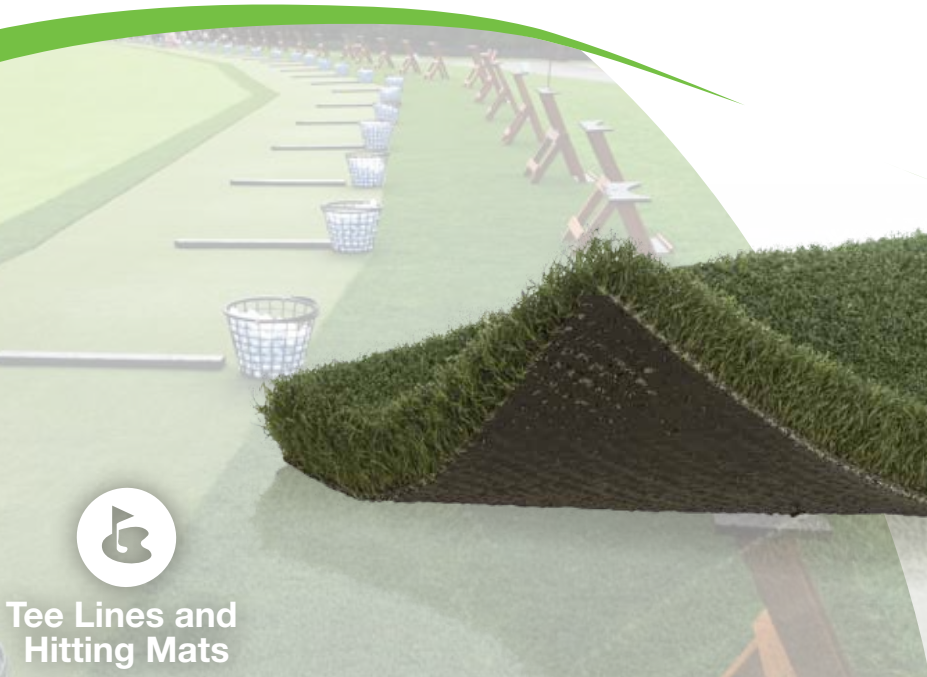




Eziee POLY



Tee Lines and Hitting Mats



PROPERTY

- Primary Yarn Polymer
- Yarn Cross Section
- Standard Colors
- UV Stabilized
- Fabric Construction
- Primary Backing
- Coating Type(s)
- Perforations
- Recommended Infill
- Pile Height
- Total Weight
- ISO 9001 Quality Assured
- Roll Width

DESCRIPTION

- Polypropylene
- Texturized Polypropylene
- Pine
- Yes
- Cross-stitched
- ArmorLoc™ 3L dual layer polypropylene
- SilverBack™ Polyurethane
- No
- N/A
- 1 1/4"
- 142 oz.
- Yes
- 12 & 15 ft.

ADVANTAGES

- Holds a real tee
- Allows for a true natural swing
- Provides a divot feel with no club bounce
- Used by PGA professionals, teachers, tour players and numerous top rated facilities
- Drastically improves your golf game
- Allows for play and practice year round
- Saves your grass and your money
- Available in mats and full tee lines

 **ArmorLoc™ 3L**

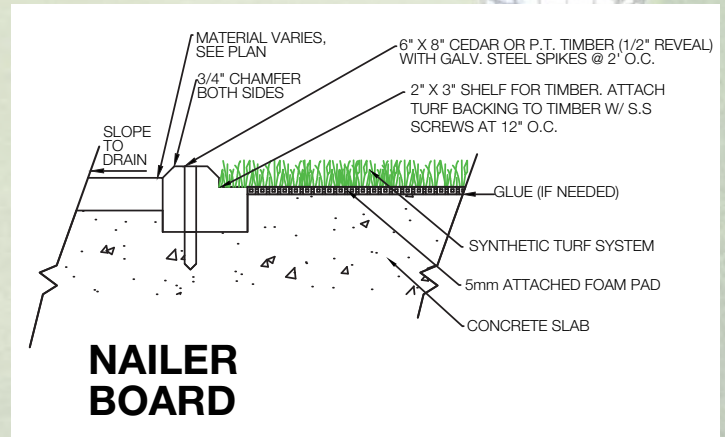
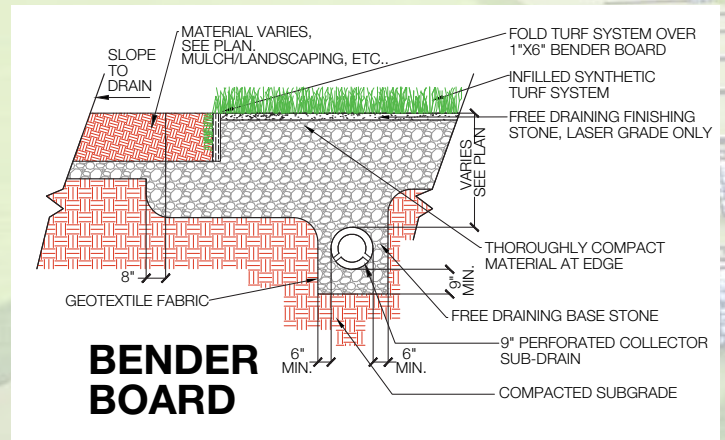

SILVERBACK™
Quiet Strength.



EZtee POLY

BENEFITS

The EZTee® Poly features a non-infilled high grade polypropylene yarn system designed for heavy traffic tee lines, hitting mats, and extended use golf ranges. This product holds a real tee and allows players to hit all clubs, from a wedge to a driver and is used by many of the top golf courses around the world. EZTee® Poly does not replace your natural grass, but instead gives the grass time to heal properly. When will you Experience A Greener World and a better golf facility?



It is the policy of Synthetic Turf International to continuously improve their line of products. Therefore, Synthetic Turf International reserves the right to change, modify or discontinue systems, specifications and accessories of all products at any time without notice or obligation to purchaser. These are standard specifications subject to manufacturing tolerances and consumer requests.